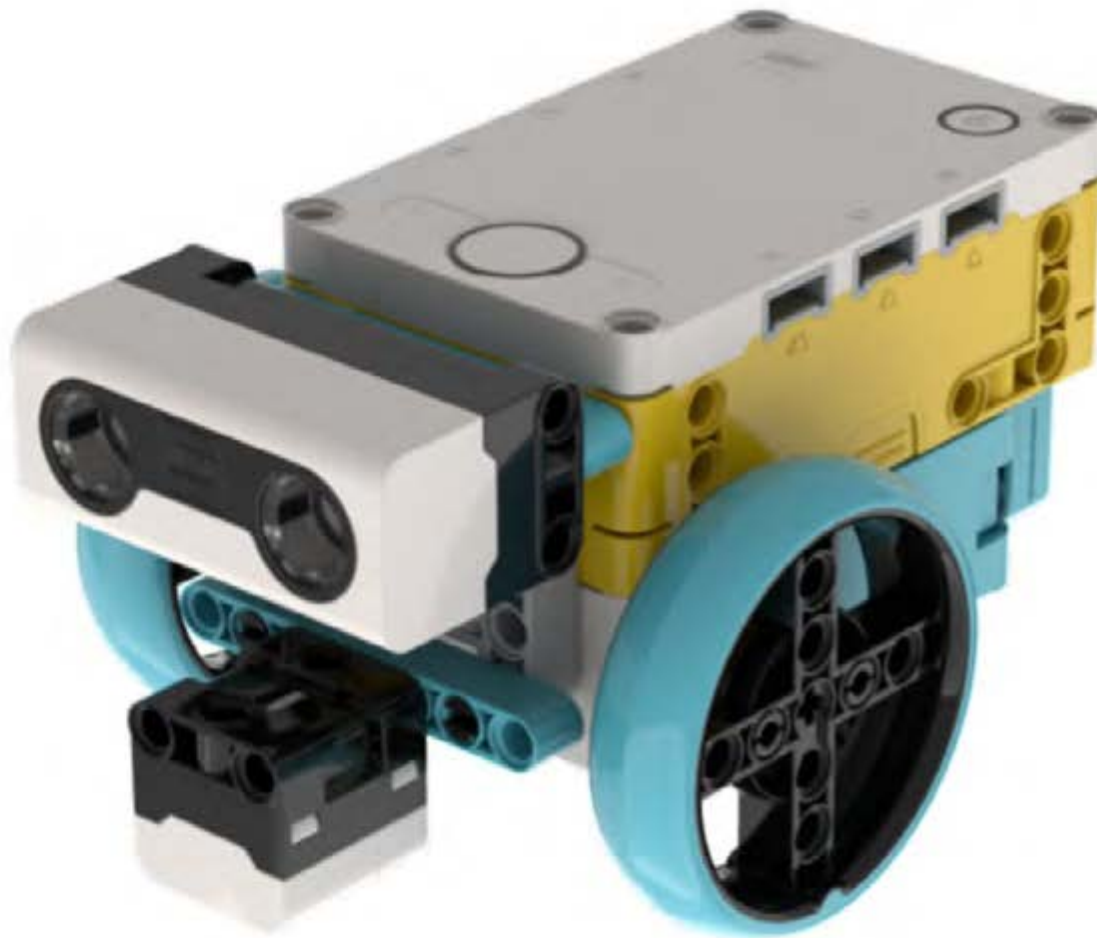
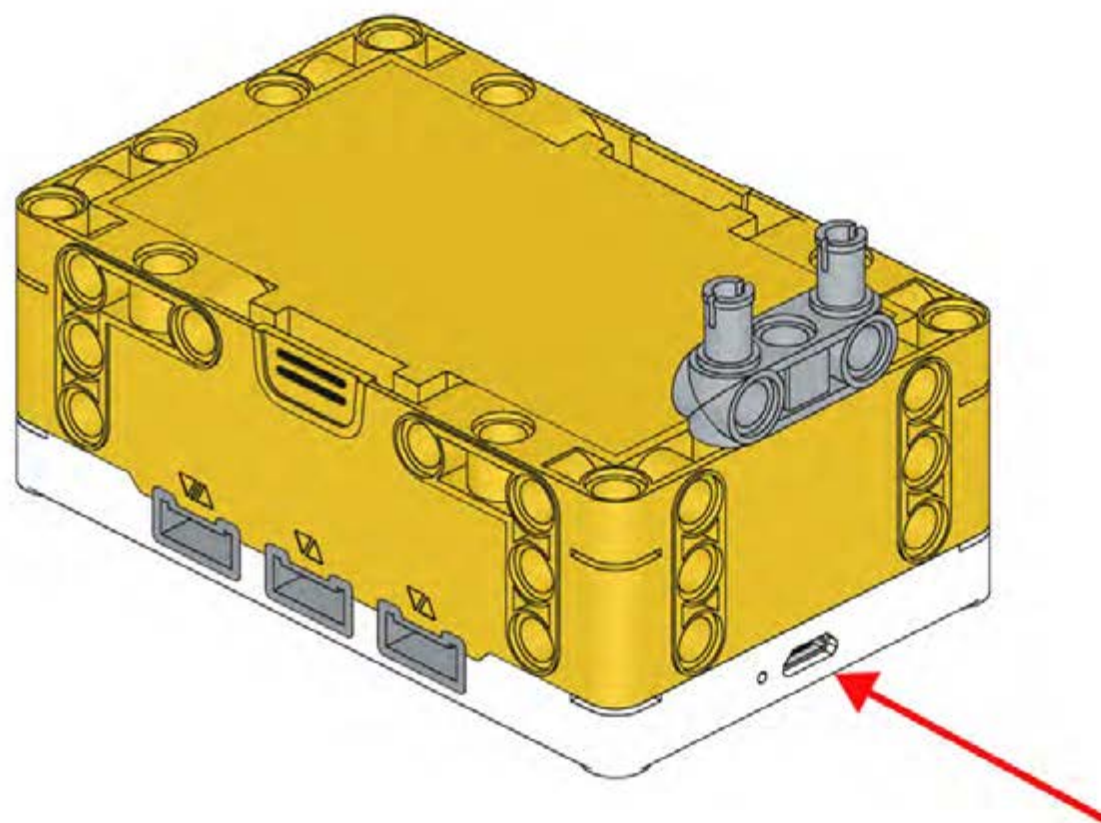
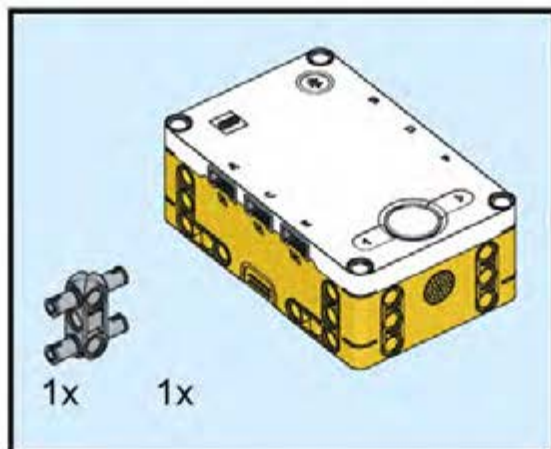


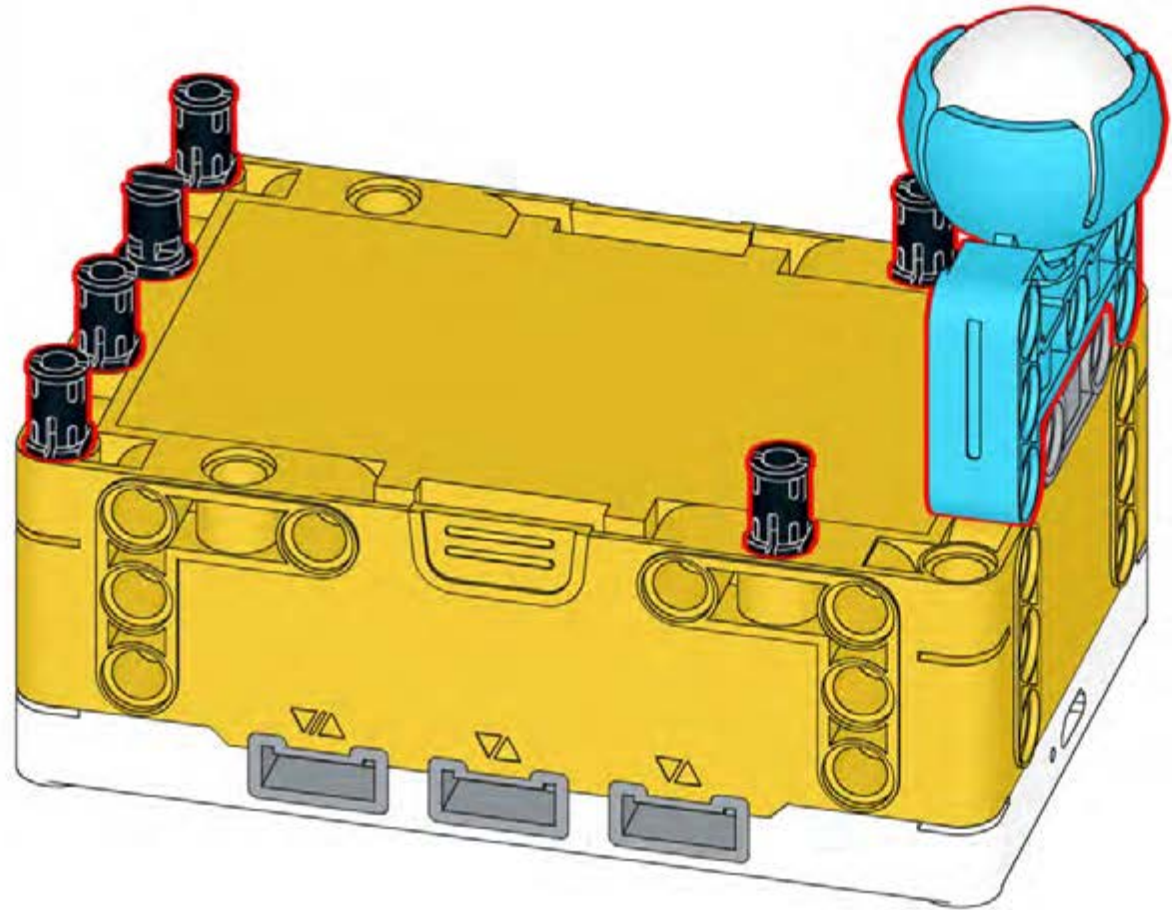
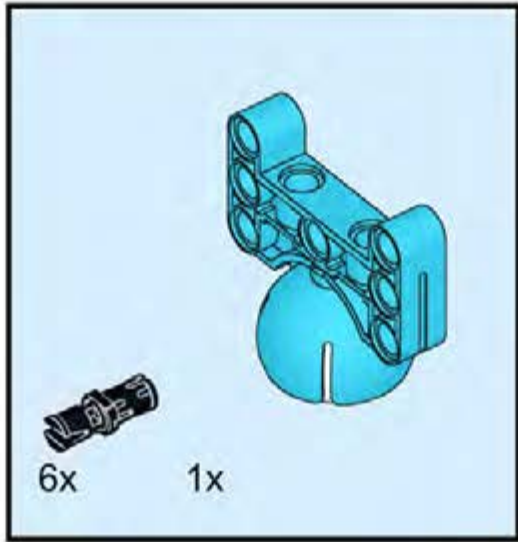
MTA-Bot



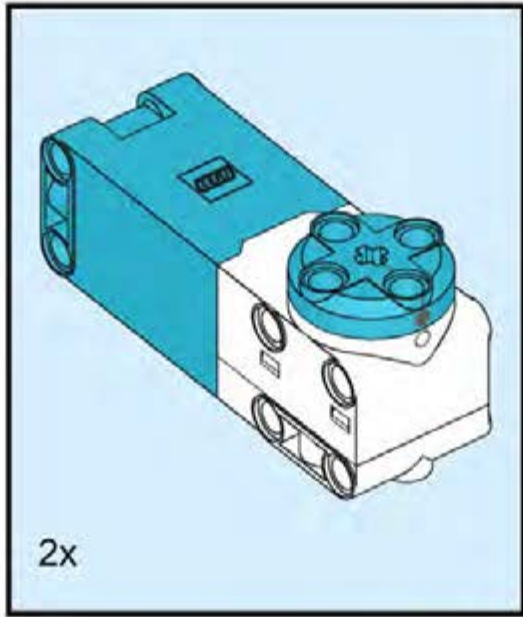
1



2

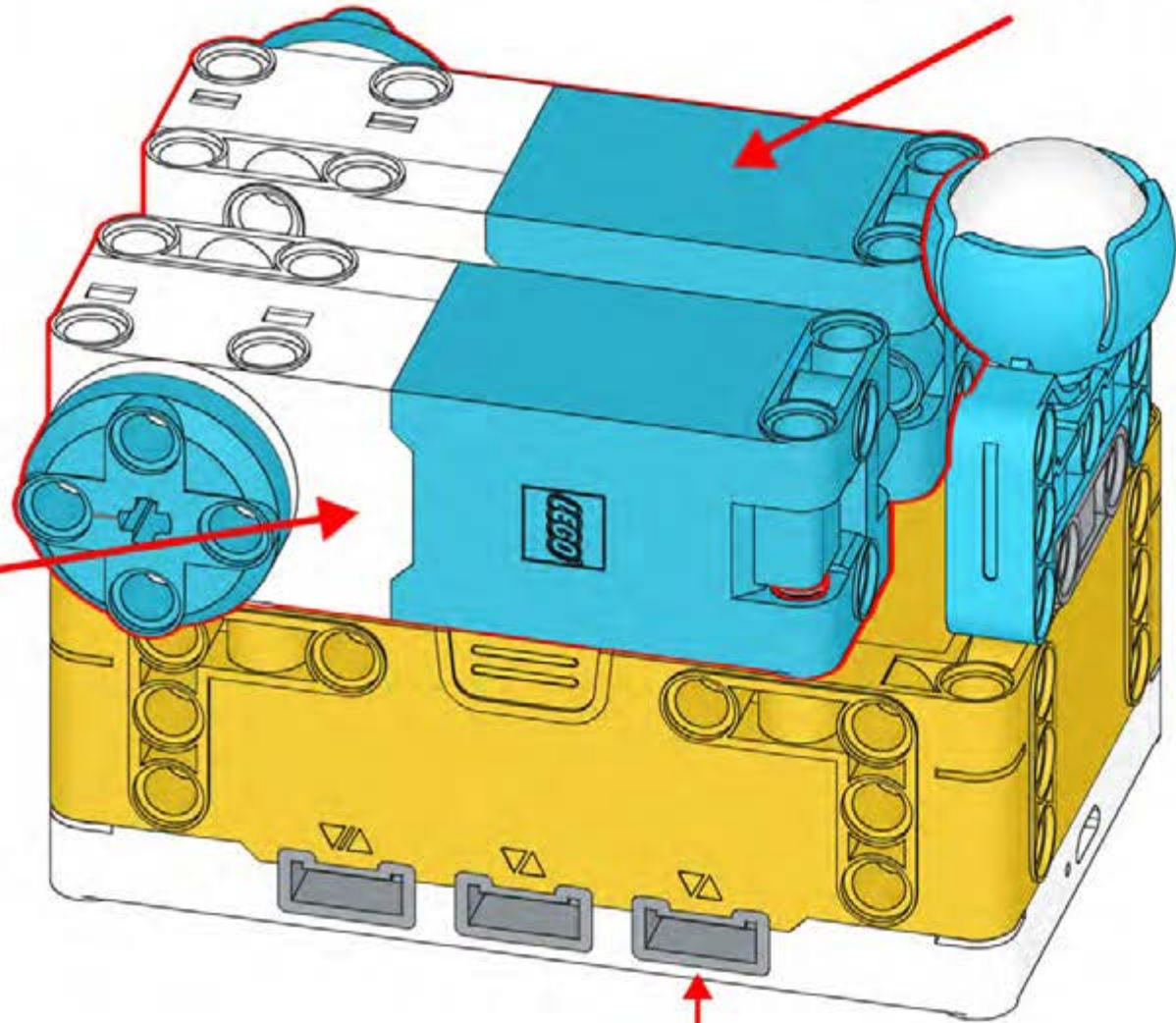


3



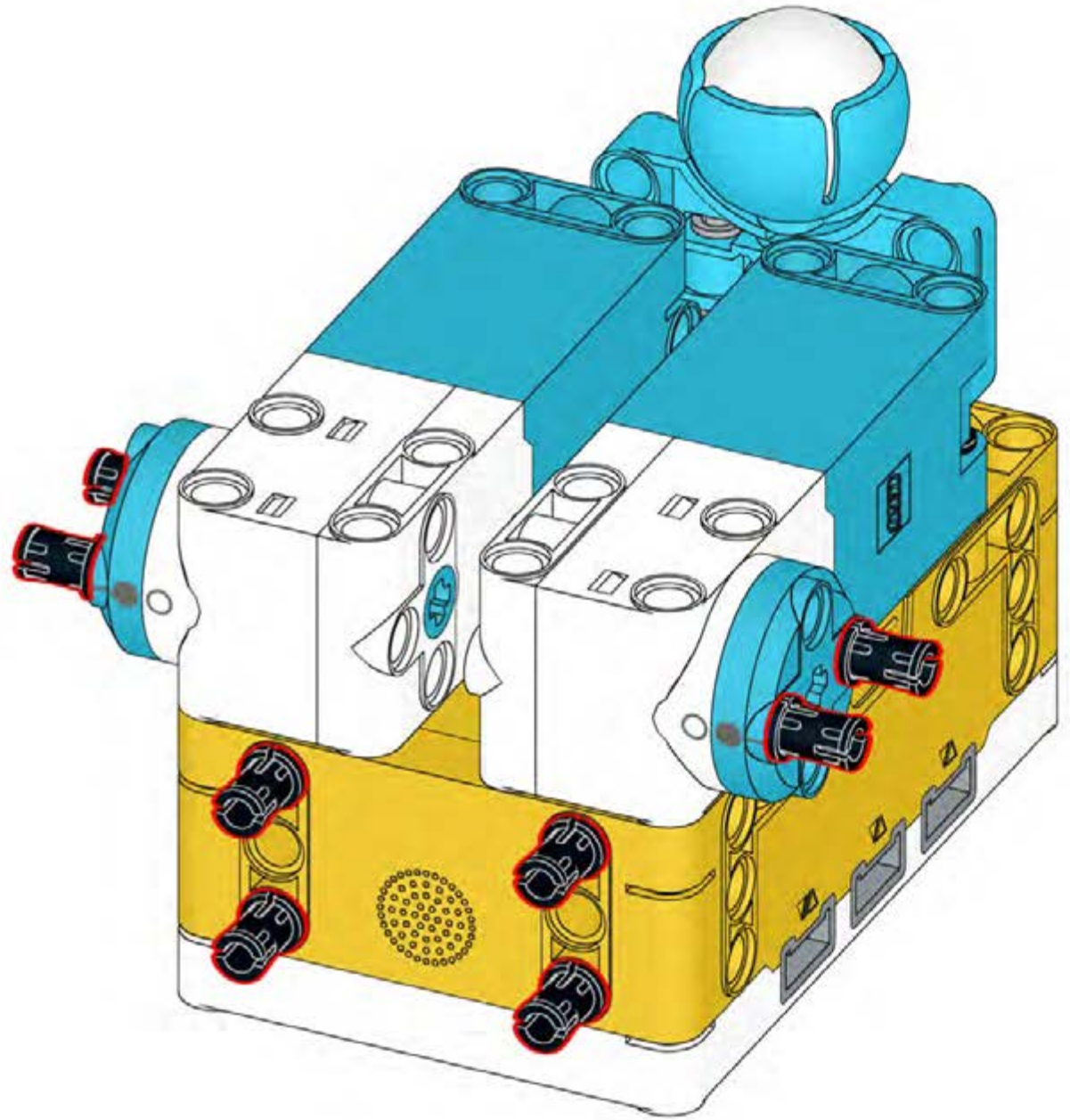
Connect this motor's cable into Port A

Connect this motor's cable into Port B

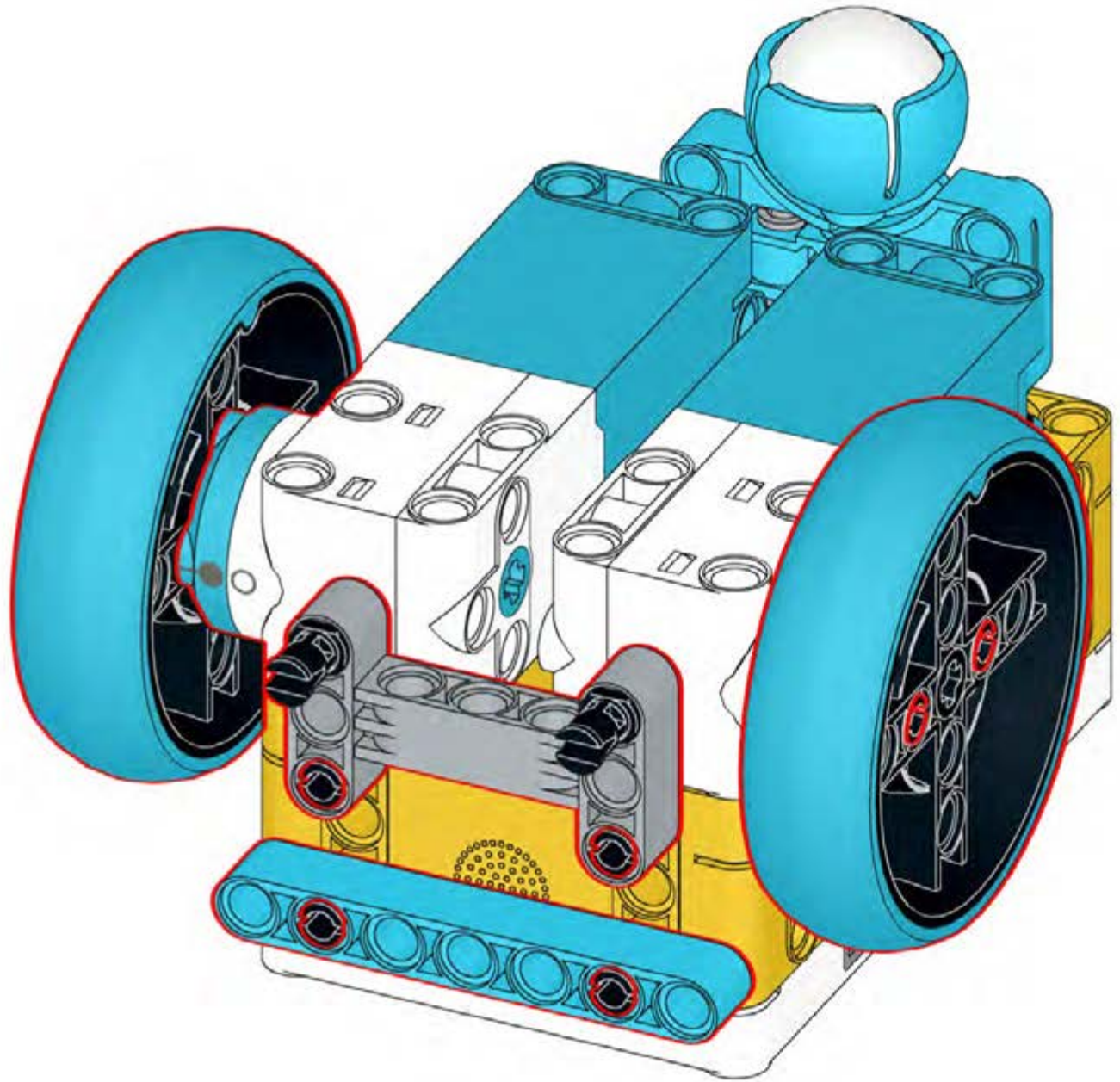
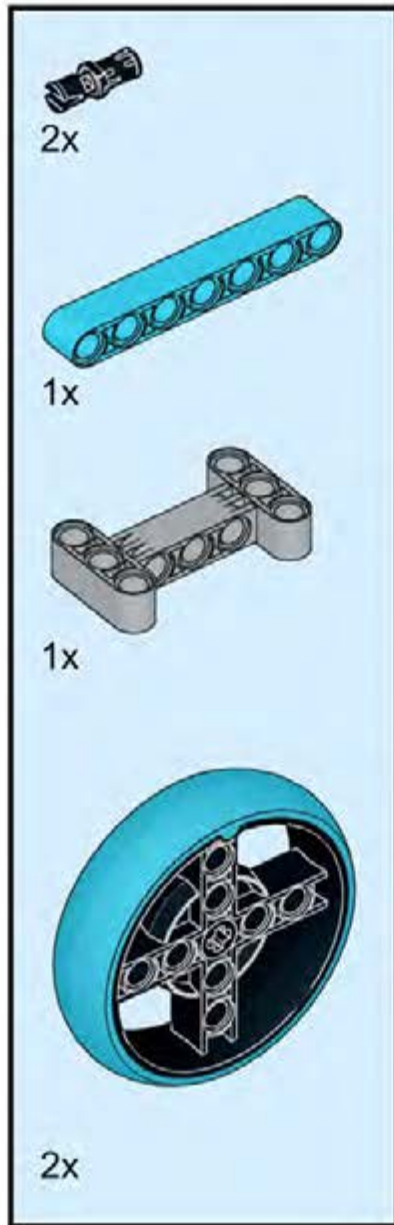


Port A

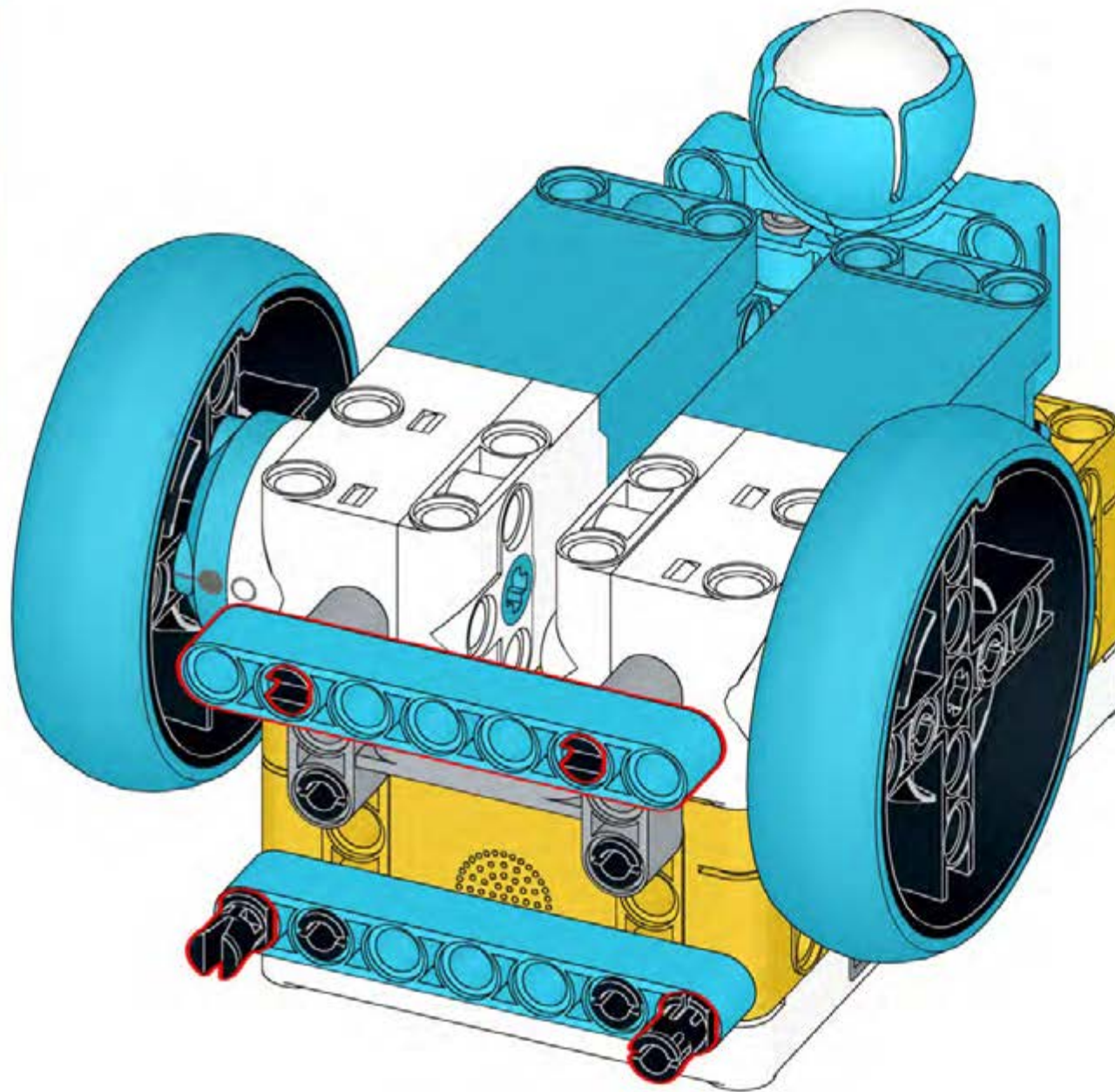
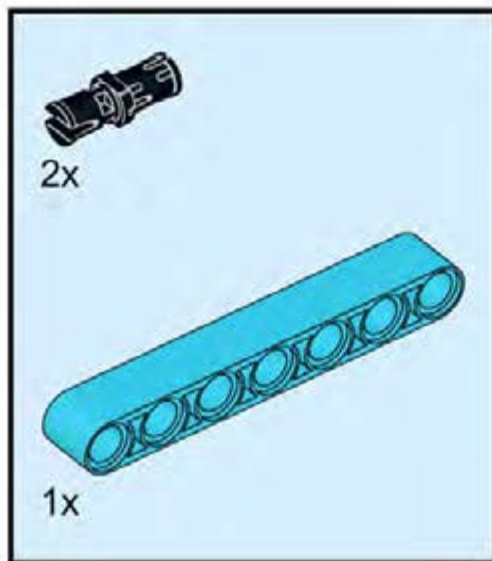
4



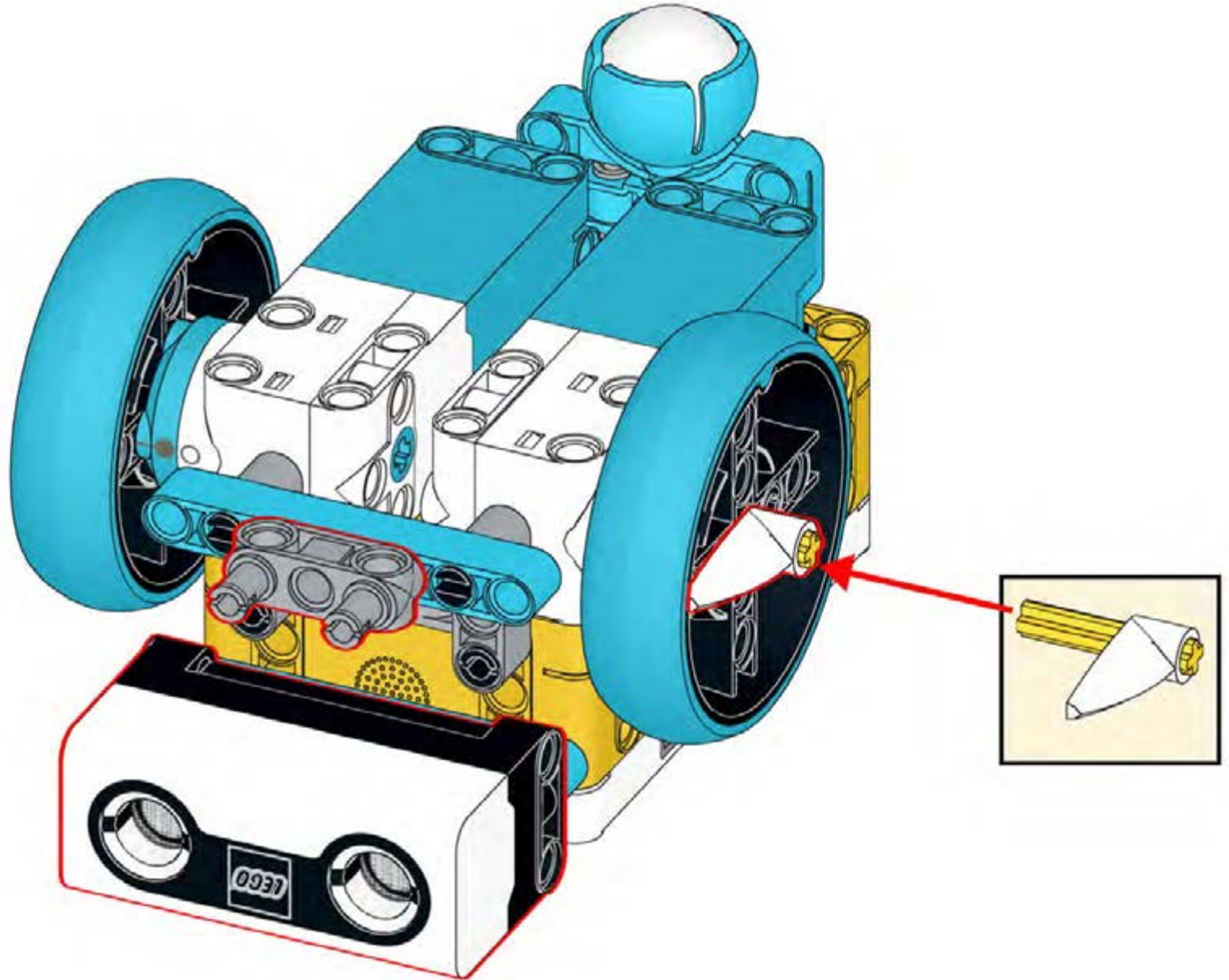
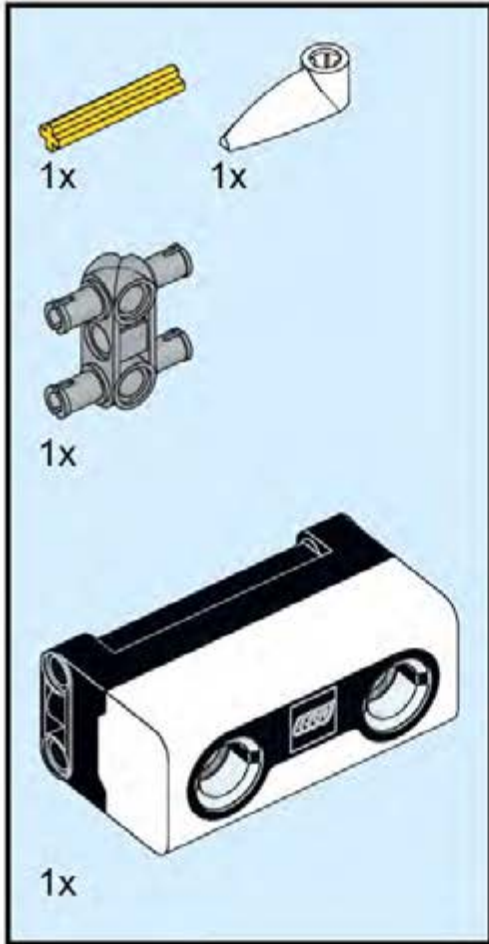
5



6



7



8

